

---

# **APPLICATION NOTE**

**AP0039**

**SM7-405**

**EXTERNEL LED CONTROL**

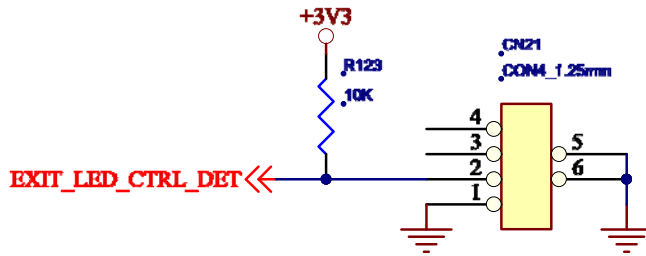


---

### 1. About SM7-405 external LED ON/OFF Control

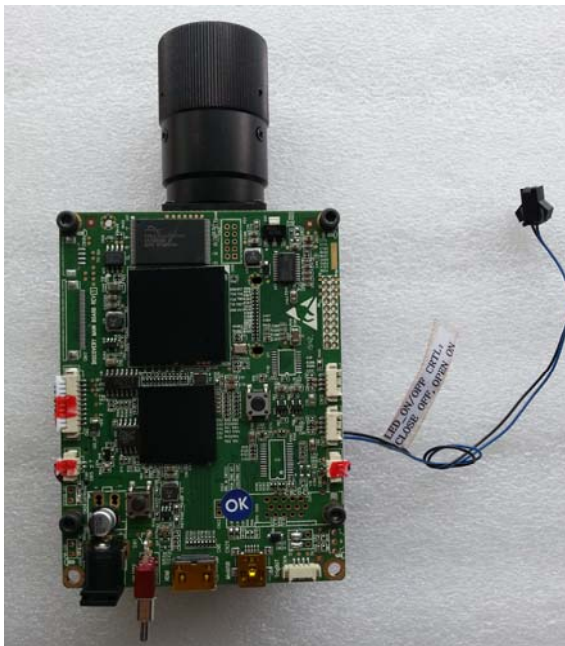
Some user need external LED ON/OFF control function, We just can provide this function by device.

### 2. Schematic

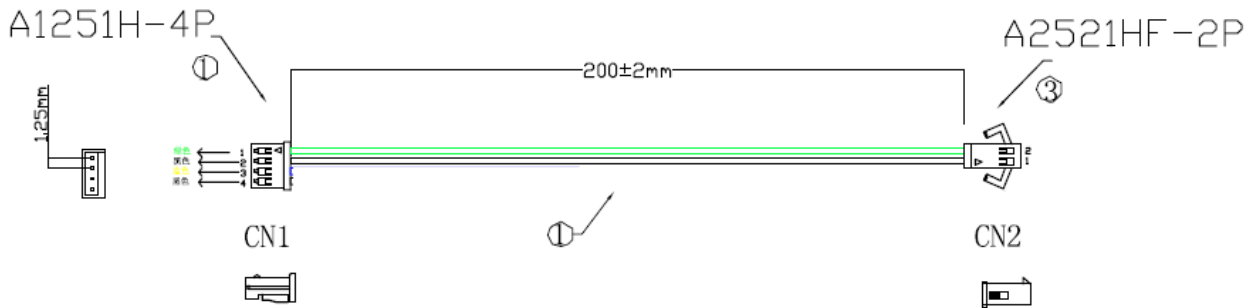


FUN	Describe
LED ON	CN21(1,2#) OPEN
LED OFF	CN21(1,2#) CLOSE

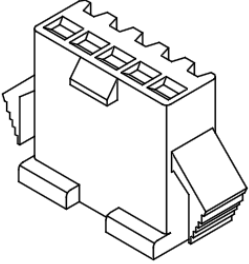
### 3. Interface



#### 4. Wire



Wire	Describe
BLUE	Exit LED ON OFF Control Single DET
Black	GND

Wire Model	Describe
C2521HF-2P	2.5 Pitch single row housing 
C2521HM-2P	2.5 Pitch single row housing 